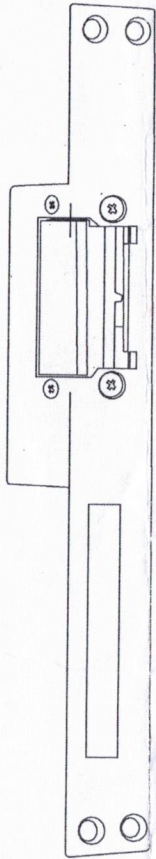
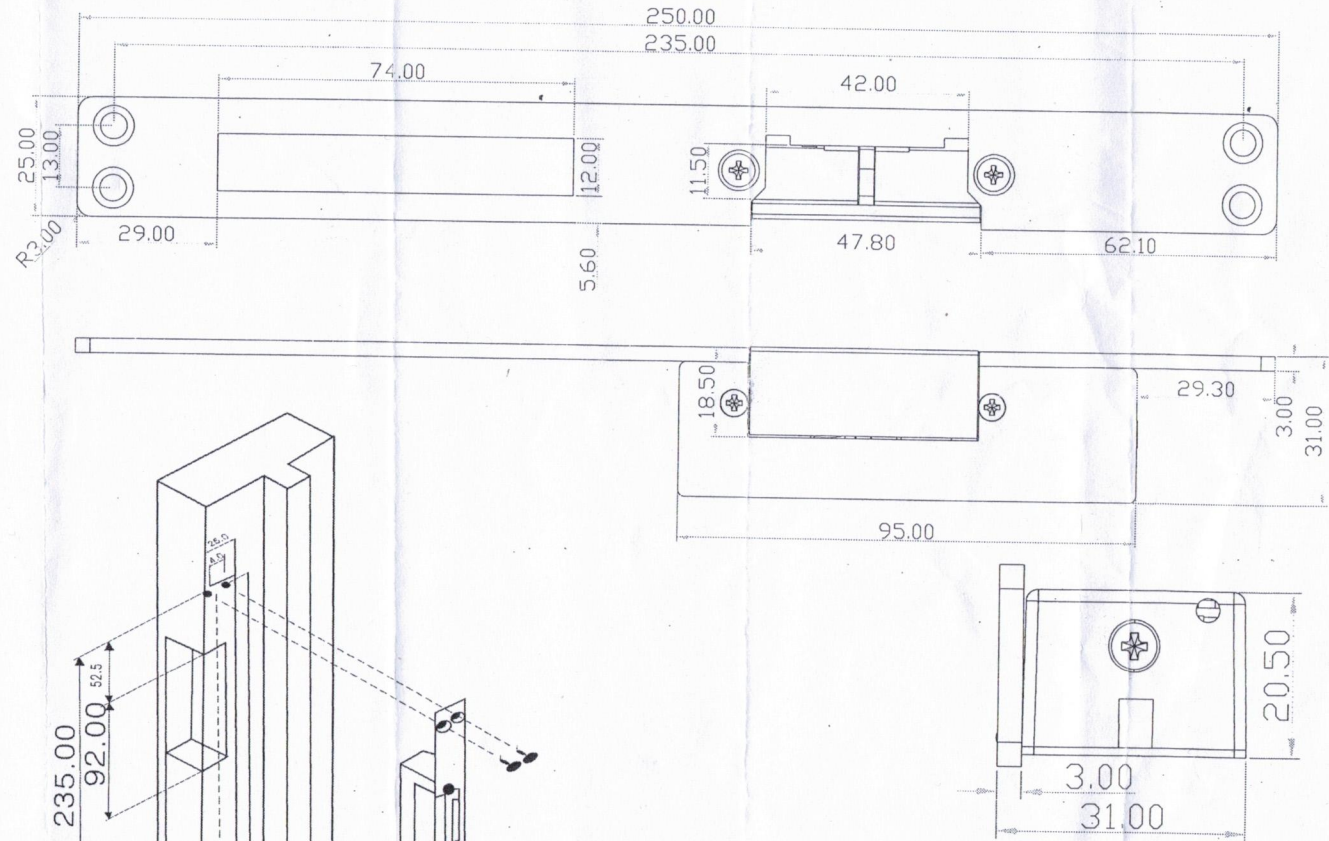


Electric Strike with Faceplate W/Signal

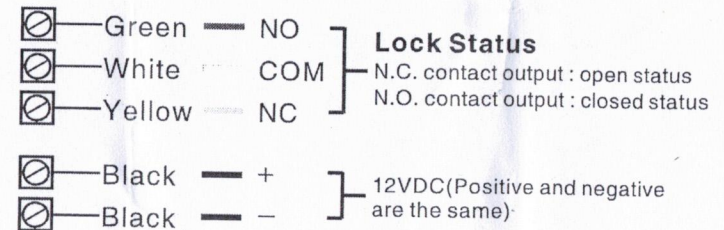


INSTALLATION



Specification

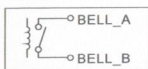
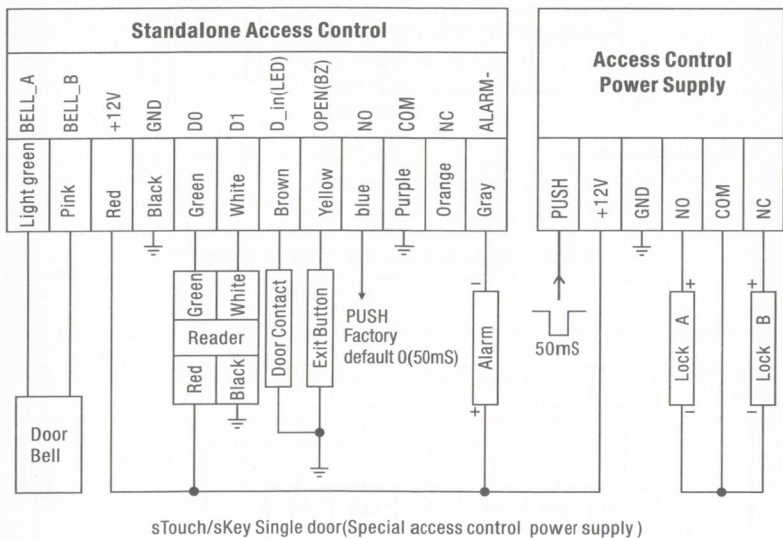
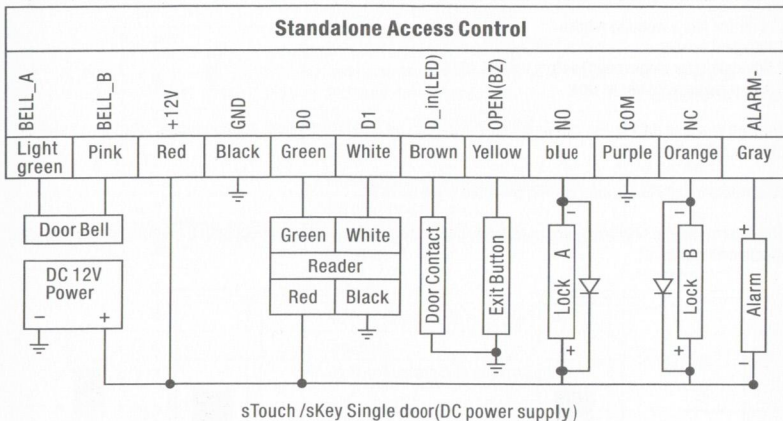
Size : 250Lx25Wx31H(MM)
 Voltage: 12VDC(24V Need order)
 Current: 200mA
 Signal output: NO/NC/COM
 suitable for: wooden door metal door
 Feature: Fail Safe(NC)/Fail Secure(NO)
 Weight: 0.4kg



S Touch / S Key

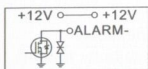
Standalone Access Control

Wiring Diagram



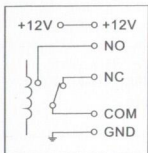
Principle of Door Bell Connector

Each press of door bell button, contact of relay in BELL_A and BELL_B will close contact for 200mS then release.



Principle of Alarm Connector

The field-effect tube will be conducted when alarm is activated; It will be not conducted when alarm is removed



Principle of Electronic Lock

The relay will close contact to unlock the lock and will release after unlocking
COM: common, relay contact

NC: normal close, normally keep closed to COM

NO: normal open, normally keep opened to COM

1. Introduction, Features and Specifications

1.1 Introduction

The sTouch W-w/ sTouch W-s/ sKey W-w /sKey W-s Standard alone access control realize the card reading and keypad operation functions, lock, alarm, ring bell, exit button and the magnetic contact switch on the door.

The access host supports 125KHz EM, HID cards , 13.56MHz IC and CPU cards (sTouch W-w/sKey W-w), and only 125KHz EM, HID cards (sTouch W-s, sKey W-s)

It controls 1 door,supports up to 2000 users in total, each user have one card and one PIN. The access control unit supports 1 master code, one manager add card, one manager delete card, 1 anti-duress card and 1 anti-duress PIN, providing users with easy operation and safe guarantee.

1.2 Features

- > Aluminium alloy case, waterproof, fully potted, confirms to Ip65
- > Metal keypad(sKey W -w /sKey W-s) and touch panel(sTouch W-w/ sTouch W-s) optional.
- > Built-in 125KHz (EM, HID card) and 13.56MHz(IC, CPU card, ISO14443A) reader. (sTouch W-w, sKey W-w)
- > 125KHz (EM, HID card) reader (sTouch W-s ,sKey W-s)
- > Digital backlit key(sKey W-w , sKey W-s) and touch panel (sTouch W-w ,sTouch W-s). The back light can be set to Normal ON, Normal OFF or Auto.
- > With door bell function, build-in or external door bell optional.
- > Multi-function, operating as slave reader, single door, anti-pass back function, etc, suitable for various occasions.

1.3 Specifications:

Operating voltage range: DC12-24V

Idle input current: $\leq 35\text{mA}$

Max proximity card read range: EM&HID card: 3-6cm IC&CPU card: 2-6cm

Excitation Frequency: 125KHz and 13.56MHz(sTouch W-w, sKey W-w), 125KHz (sTouch W-s, sKey W-s)

Card transmit format: Wiegand 26-37

Keypad transmit format: 4-6 digits key press to output card number format, 4 bits or 8 bits data.

Access control unit dimensions (Height×Width×Depth): 125×83×21.7mm (sTouch W-w / sKey W-w),
158.6×43×21.7mm(sTouch W-s/ sKey W-s)

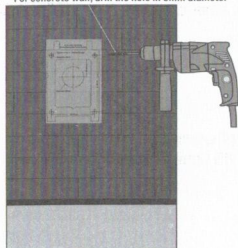
Operating temperature range: -40 ~ 60° C(EM&HID card), -20 ~ 60° C (IC or CPU card)

Operating humidity: 0-95% (non-condensing)

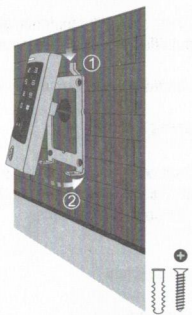
2. Installation and Wiring Diagram

1 Drill Holes

For concrete wall, drill the hole in 6mm diameter

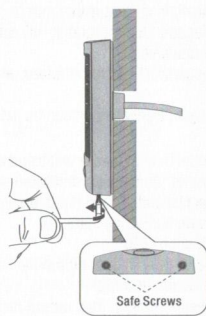


2 Fix the Bracket and Install the Access Host



Pay attention to the sequence during installation

3 Fix Safe Screws



sTouch /sKey Installation